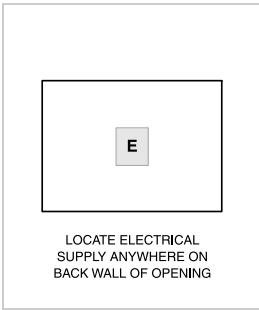


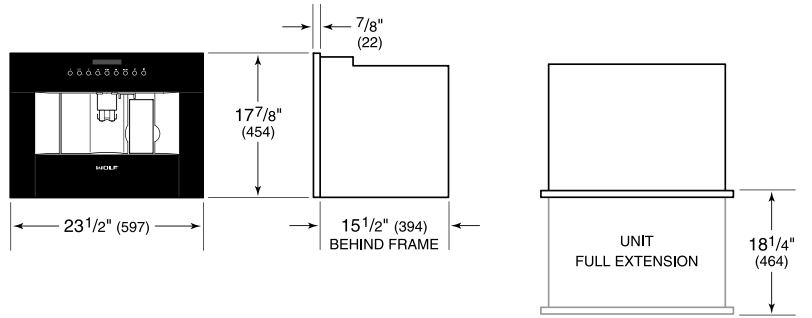
PRODUCT SPECIFICATIONS

Model	ICBEC24/S
Dimensions	597 mm W x 454 mm H x 394 mm D
Weight	80 lb
Electrical Supply	220-240 VAC, 50/60 Hz
Electrical Service	13 amp dedicated circuit
Power Cord Length	6 feet

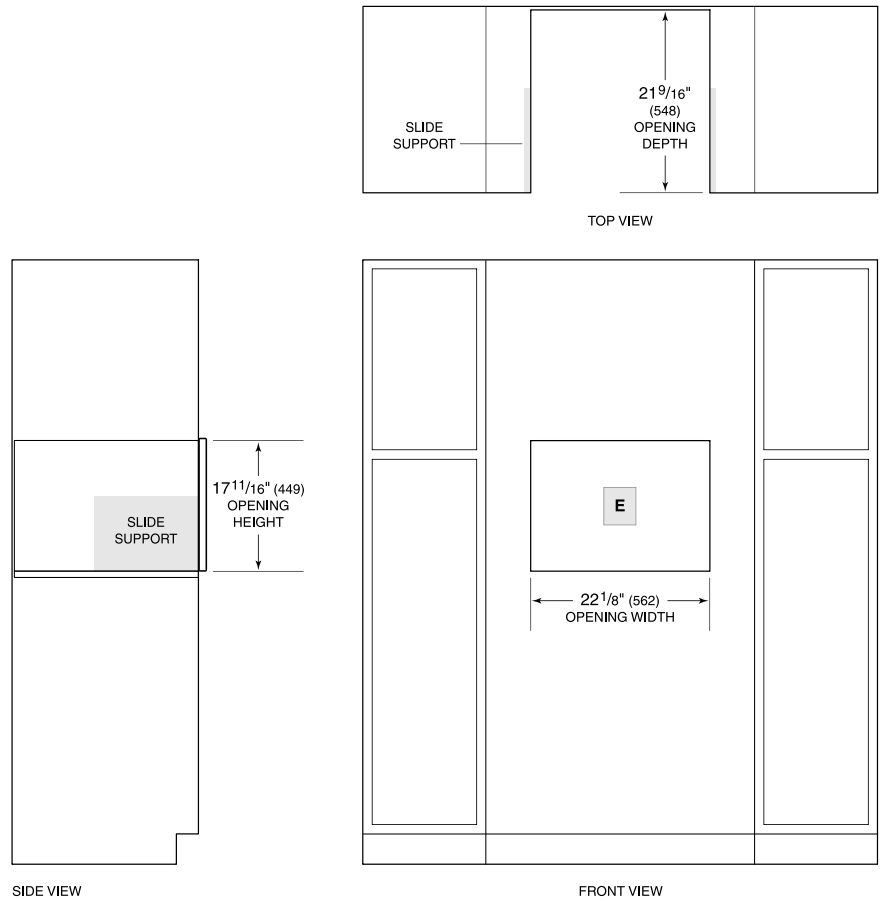
ELECTRICAL



DIMENSIONS



STANDARD INSTALLATION



ICBEC24/S

FEATURES

Make all your favorite coffee drinks

Uses whole-bean and pre-ground coffee

Coffee made to size, from 1 oz. to 12 oz.

Built-in burr grinder with 13 grind settings

No plumbing needed

Rigorously tested in our U.S. manufacturing facilities for decades of use

Auto-descale reminders

Five strength settings

Hot water on demand

Press Double Coffee button for two identical cups

Removable milk carafe for freshness

ACCESSORIES

Care Kit

Accessories available through an authorized Sub-Zero dealer.
For local dealer information, visit subzero-wolf.com/locator.

